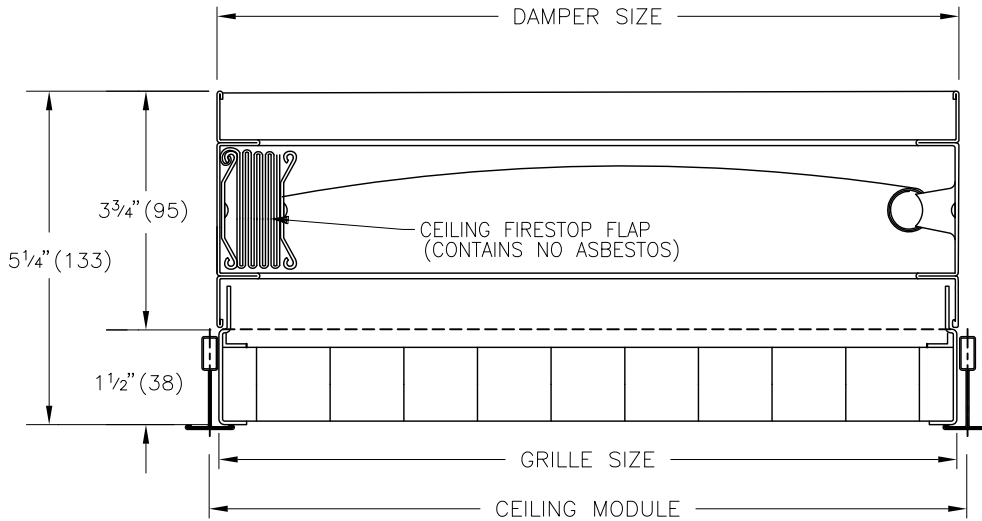
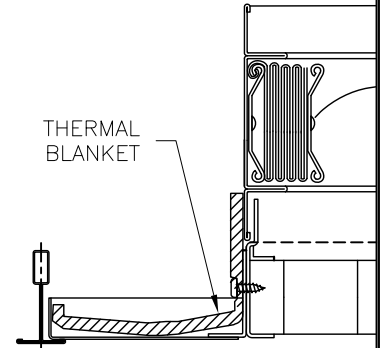


82-FR RETURN AIR GRILLE FIRE RATED ASSEMBLY



3P T-BAR PANEL



CEILING MODULE	GRILLE SIZE	DAMPER SIZE
12" (305) x 12" (305)	11 ¹ / ₁₆ " (297) x 11 ¹ / ₁₆ " (297)	11 ³ / ₄ " (298) x 11 ³ / ₄ " (298)
12" (305) x 24" (610)	11 ¹ / ₁₆ " (297) x 23 ¹ / ₁₆ " (602)	11 ³ / ₄ " (298) x 23 ³ / ₄ " (603)
24" (610) x 24" (610)	23 ¹ / ₁₆ " (602) x 23 ¹ / ₁₆ " (602)	23 ³ / ₄ " (603) x 23 ³ / ₄ " (603)

MATERIAL:

- STEEL CONSTRUCTION
- CORE: ALUMINUM CONSTRUCTION
- CEILING RADIATION DAMPER: CURTAIN TYPE, NON ASBESTOS GALVANIZED STEEL
- THERMAL BLANKET: NON ASBESTOS

FINISH:

- B12 WHITE
- (OPTIONAL FINISHES AVAILABLE)

OPTION:

- 165°F (74°C) FUSIBLE LINK (STANDARD)
- 212°F (100°C) FUSIBLE LINK

NOTE:

- FIRE RATED 3 HOUR.
- UL CLASSIFIED FIRE RATED CEILING DIFFUSER ASSEMBLY. LISTED IN UNDERWRITERS LABORATORIES FIRE RESISTANCE DIRECTORY.
- ULC CLASSIFIED FIRE RATED CEILING DIFFUSER ASSEMBLY. LISTED IN UNDERWRITERS OF CANADA LABORATORIES LIST OF EQUIPMENT AND MATERIALS.
- FOR 3P PANEL OPTION MAX. NOM. GRILLE SIZE = MODULE SIZE - 4 (102). SPECIFY MODULE AND NOM. GRILLE SIZES AS PER ABOVE
- DUCT: STEEL OR FLEXIBLE DUCT CONNECTIONS (BY OTHERS) AS PER FIRE RATED DESIGN REQUIREMENTS.
- INSTALLATION INSTRUCTIONS: 228794 OR FOR PANEL SEE SUBMITTAL 233667
- FIRE RATED DIFFUSERS ARE TO BE INSTALLED IN FIRE RATED T-BAR APPLICATIONS ONLY.



ALL METRIC DIMENSIONS () ARE SOFT CONVERTED. IMPERIAL DIMENSIONS ARE CONVERTED TO METRIC AND ROUNDED TO THE NEAREST MILLIMETER.

PROJECT:		PRICE [®]	
ENGINEER:		<i>MJ</i>	82-FR EGGCRATE CORE GRILLE FIRE RATED ASSEMBLY
CUSTOMER:		229700	
SUBMITTAL DATE:	SPEC. SYMBOL:	2015/03/31	